








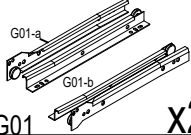
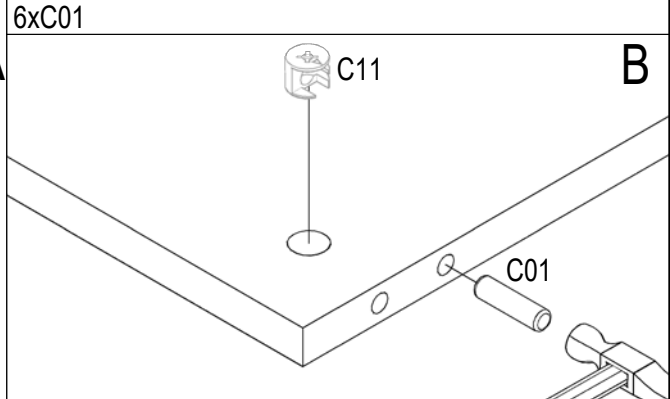
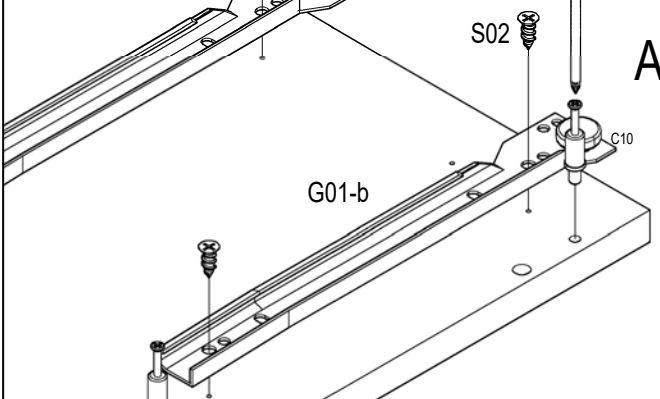
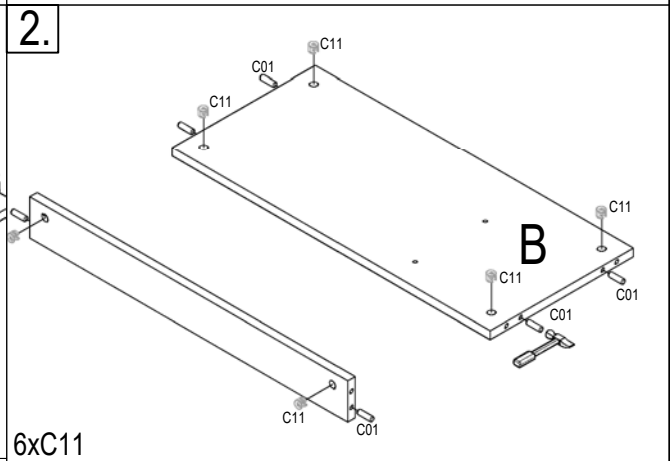
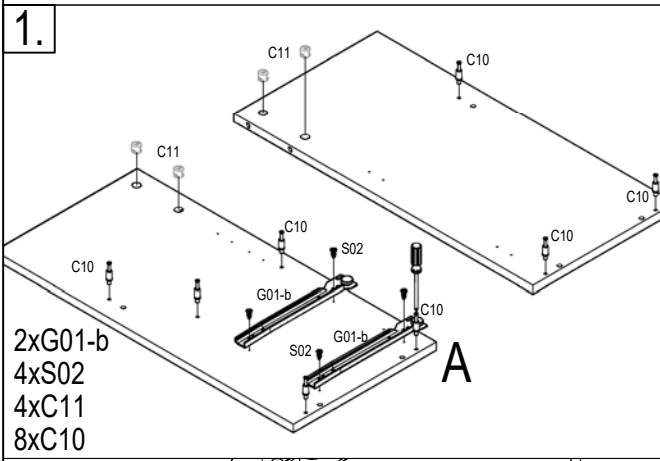
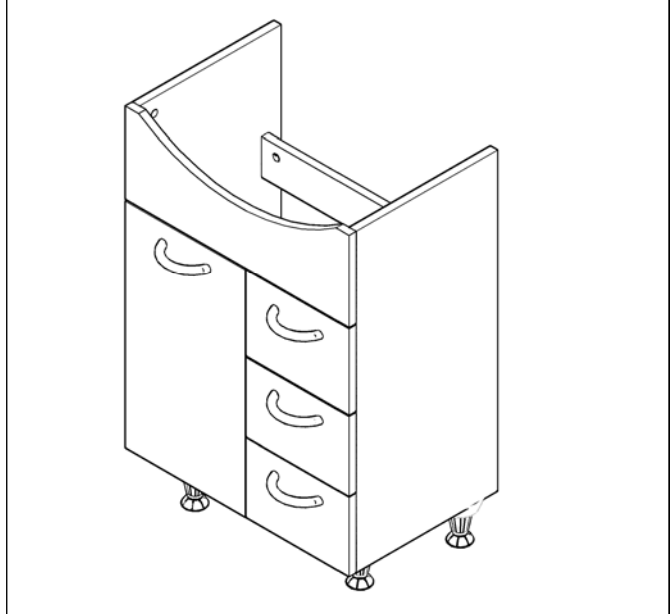
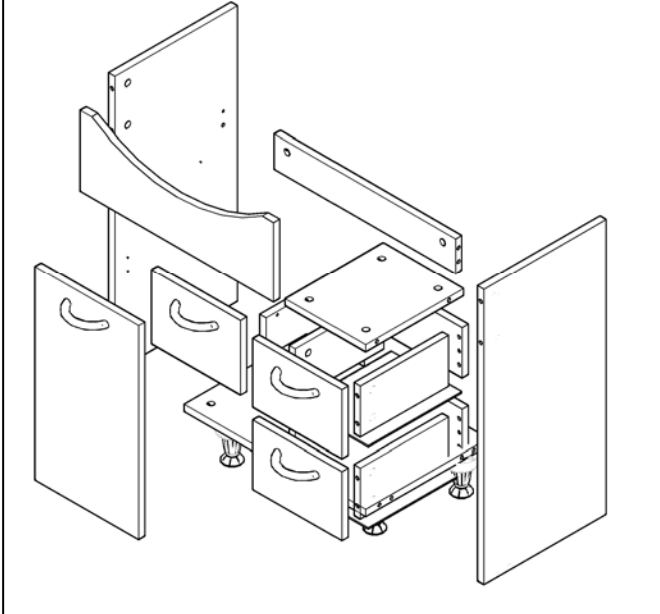


NR.25

 S02 x52	 S11 x8	 C01 x14	 C10 x22	 C11 x22	 P01 x4
 B01 x4	 M01 x4	 S01 x6	 G01 x2		



3.

C10

4.

C10



4xC10

5.

C11

6.

C10

C11

C11

C10

S02

S02

C11

G01-b

4xC11

2xC10
2xG01-b
4xS02

7.

8.

S02

B01

S02

S11

S11

B01

M01

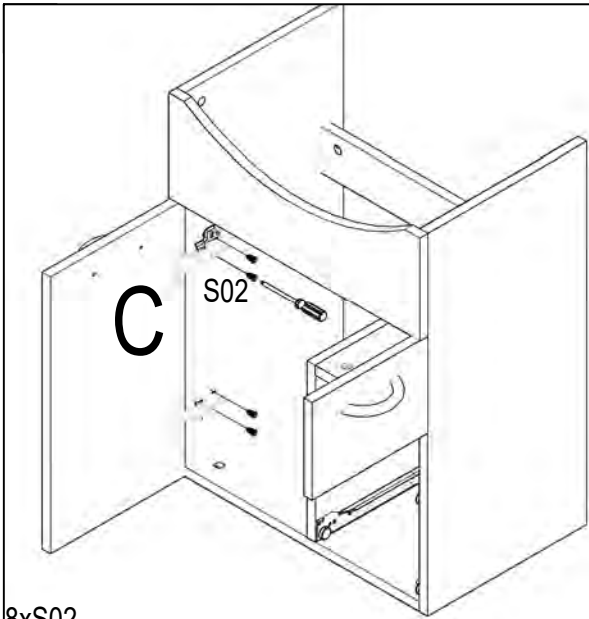
M01

2xM01
4xS11
8xS02
4xB01

1xD01
2xS01

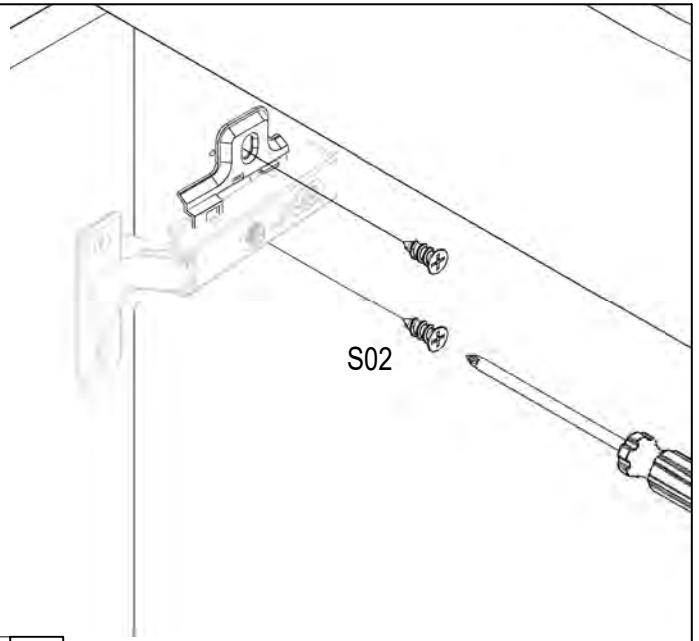
S01

D01



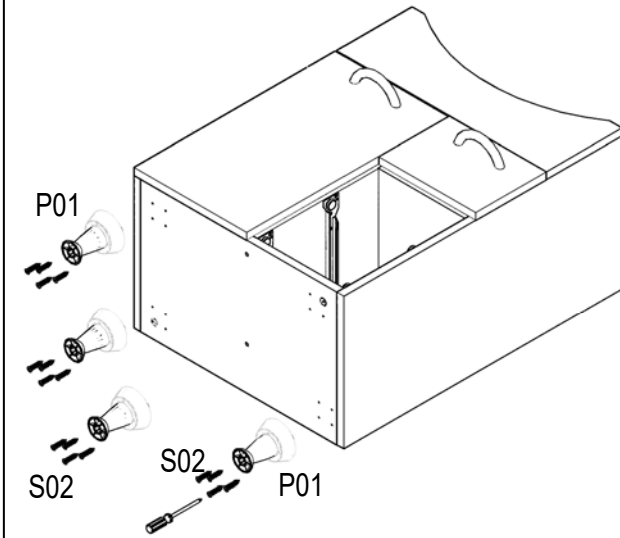
8xS02

10



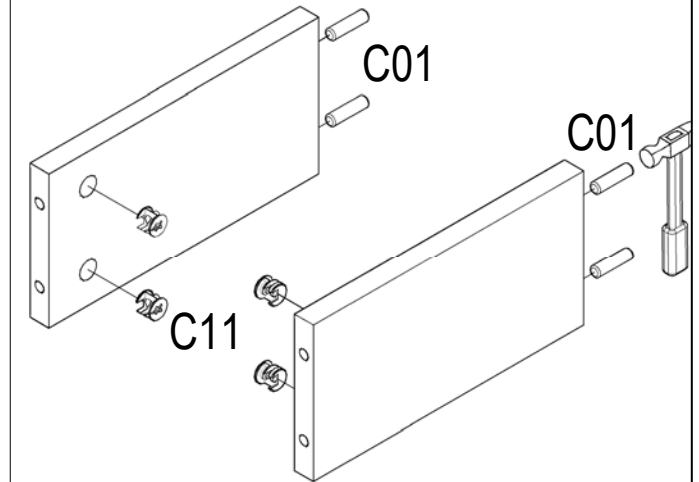
11

X 2



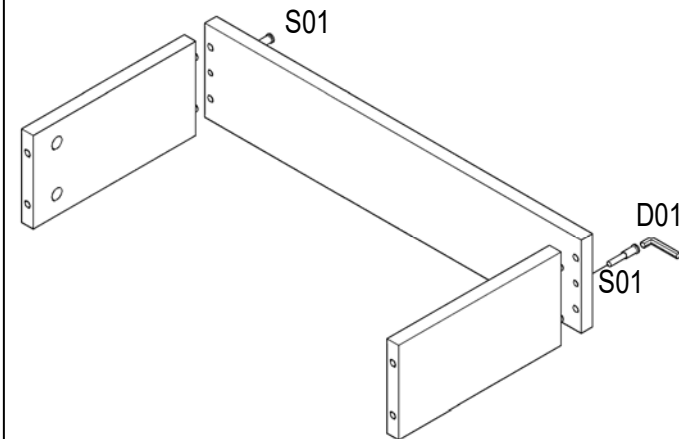
16xS02
4xP01

12. X 2

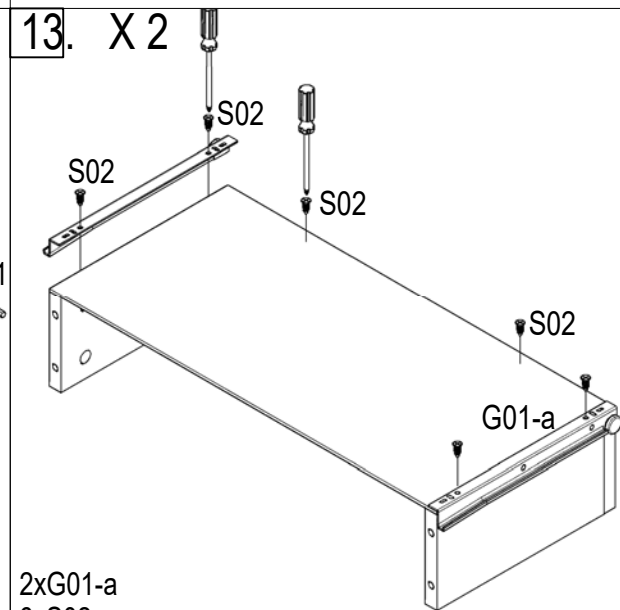


4xC11
4xC01

13. X 2



1xD01
2xS01



2xG01-a
6xS02

14. X 2

C10

S11

C10

4xC10
1xM01
2xS11




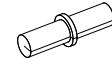


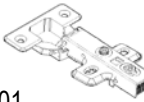


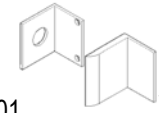
M01

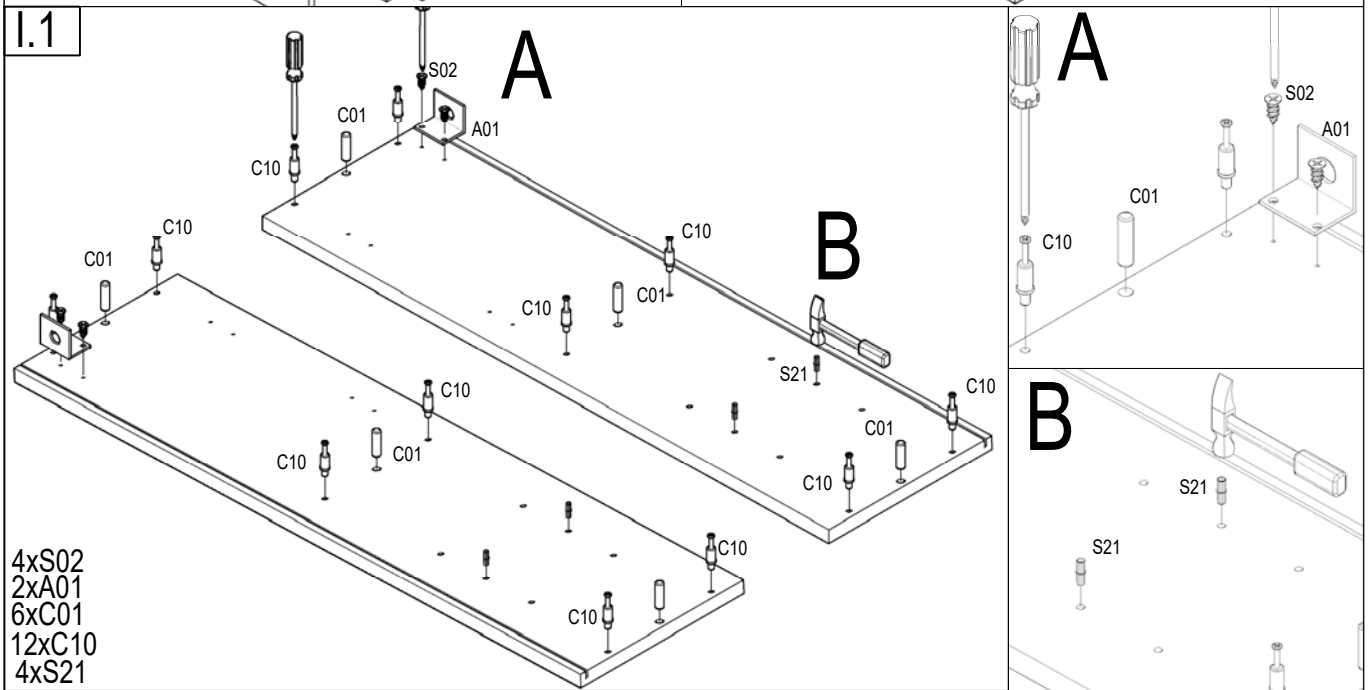
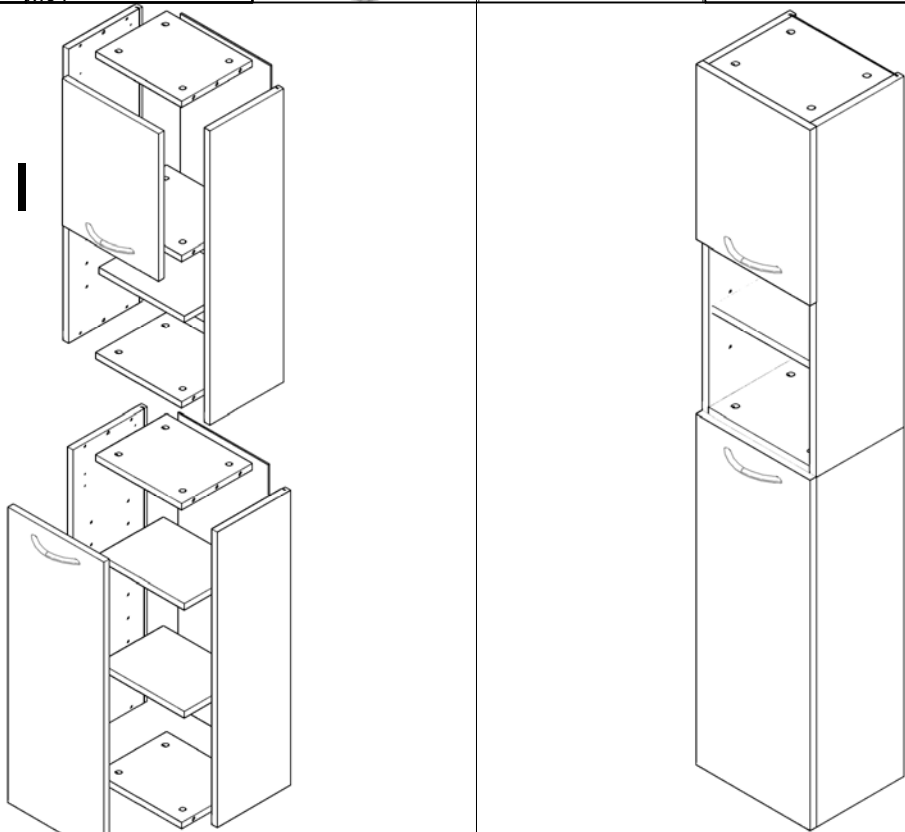
16



15. X 2

NR.110

 S02 x54	 S11 x4	 C01 x12	 S21 x12	 C10 x20	 C11 x20
 B01 x4	 M01 x2	 P01 x4	 A01 x4		



I. 2

C11

C11

C

C

C11

C11

X3

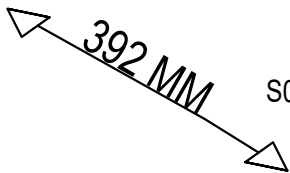
4 x C11

I. 3



I. 4

S02



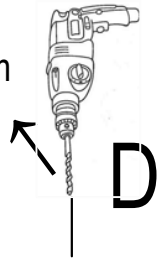
S02

S02

6xS02

I. 5

drill bit 5 mm



S02

B01

4 x S02
2 x B01

I. 6

S02

S11

D

1 x M01
2 x S11

M01

4 x S02

II. 1

S02

A

A01

C10

C01

B

S21

S21

C10

A

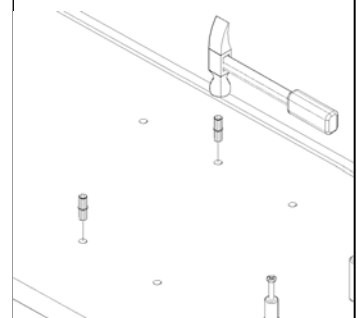
S02

C01

C10

A01

4xS02
2xA01
4xC01
8xC10
8xS21



II. 2

C11

C

C

C11

C11

C11

X2

4 x C11

II. 3



II. 4

S02

S02

S02

4xP01
22xS02

P01

II. 5

D



drill bit 5 mm

S02

B01

1 x M01
4 x S02
2 x B01
2 x S11

M01

B01

D

S11

S02

II. 6

E

S02

4 x S02

E

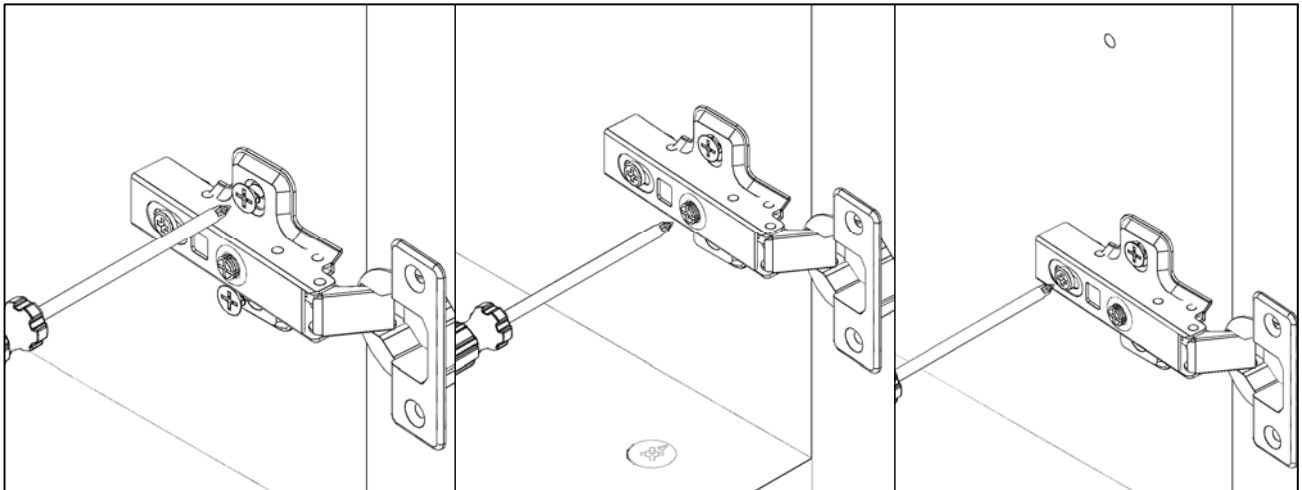
S02

II. 7

I



II

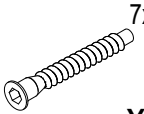



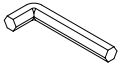
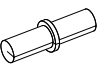
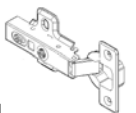





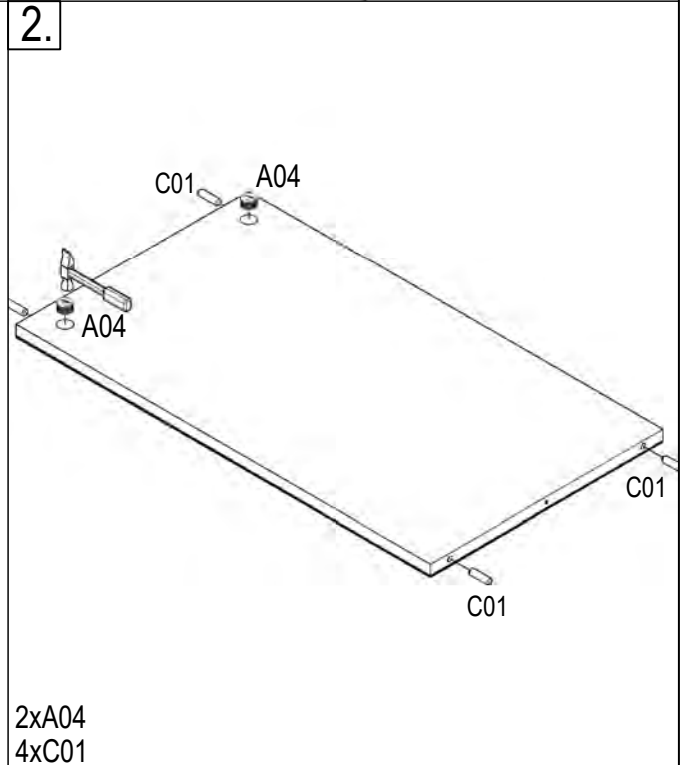
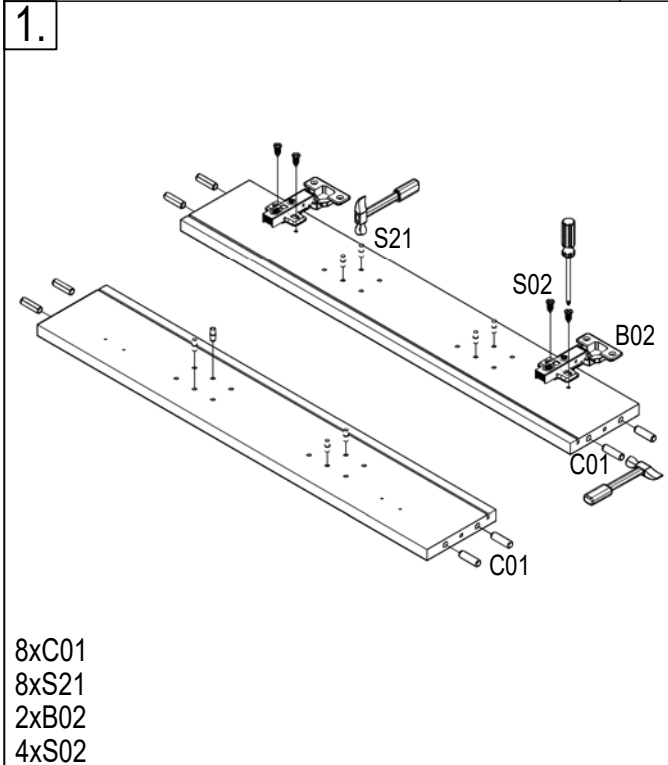
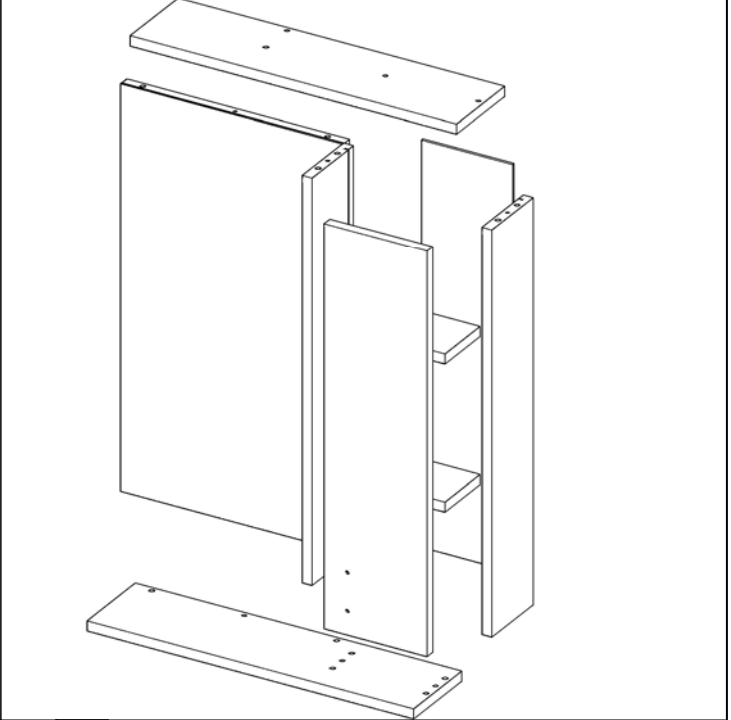
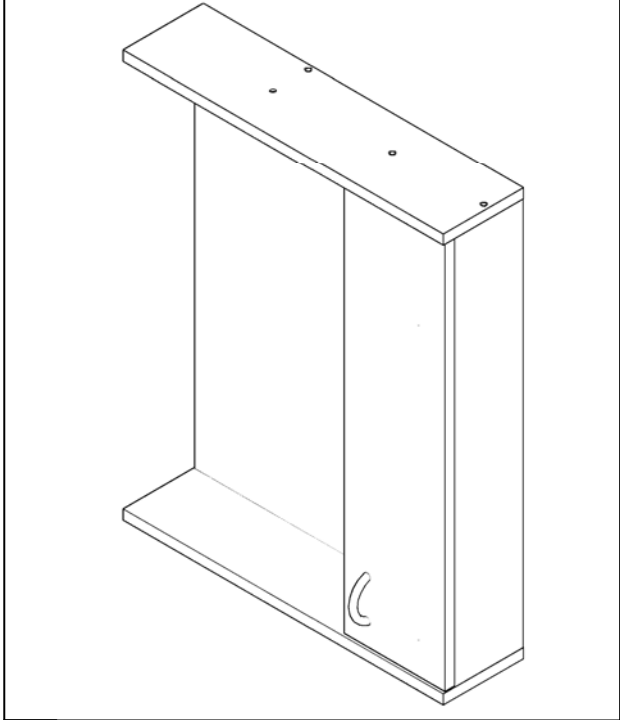
HEIGHT ADJUSTMENT

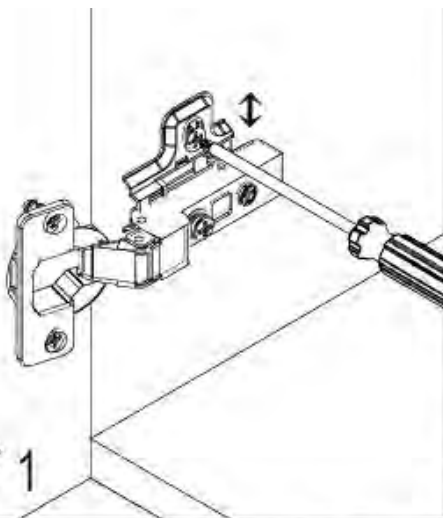
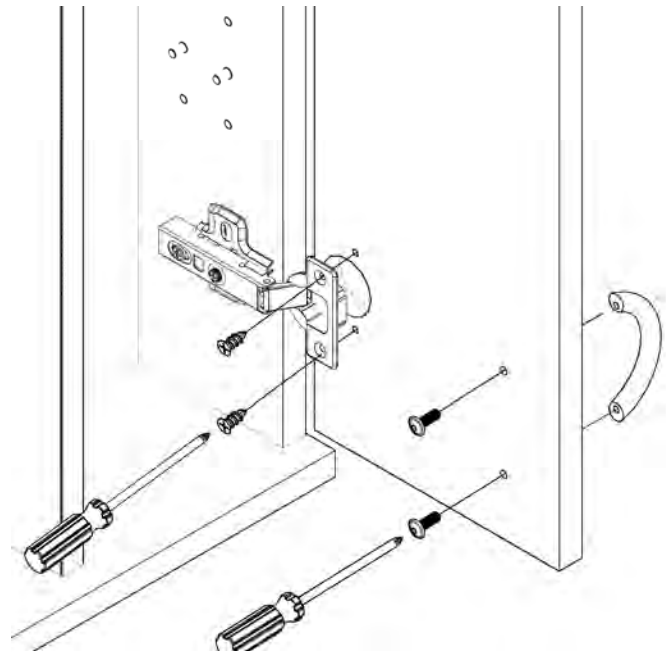
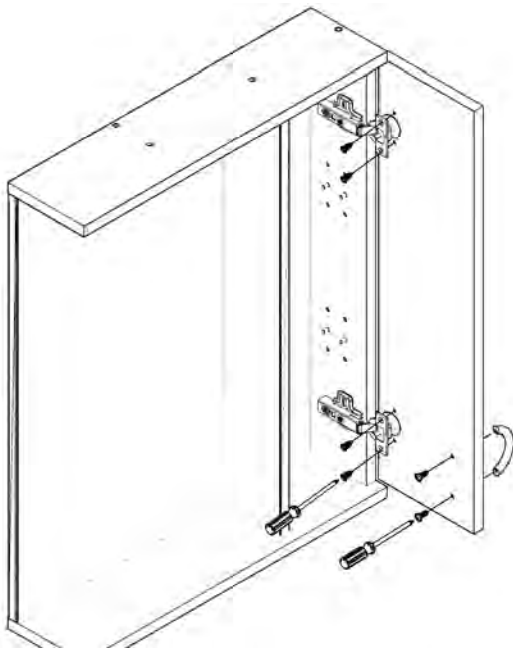
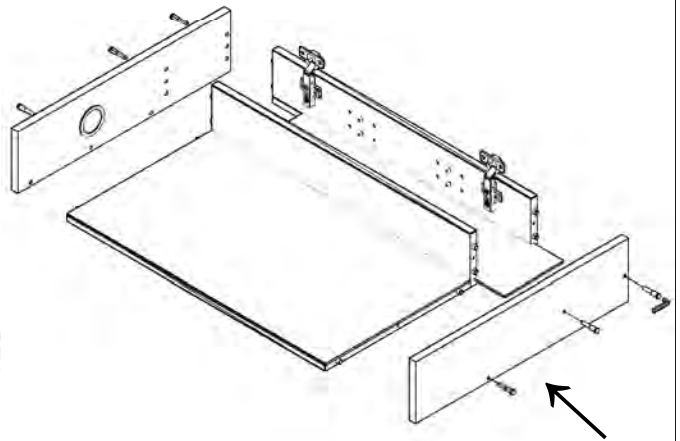
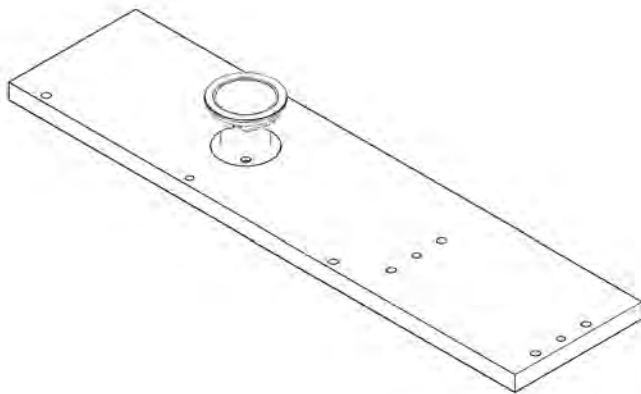
SIDE ADJUSTMENT

DEPTH ADJUSTMENT

NR.1

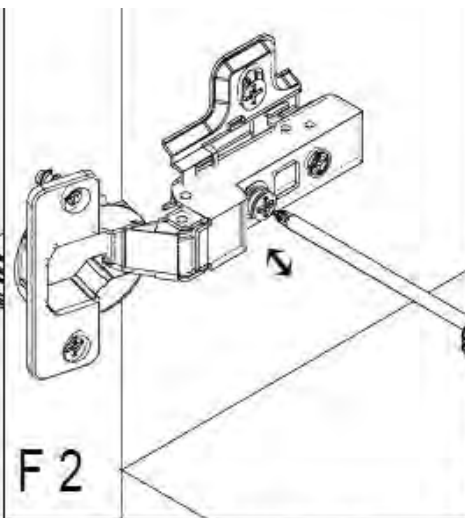
 S01 x6	 S02 x8	 S11 x2	 C01 x12	 D01 x1	 S21 x8
 B01 x2	 M01 x1	 A04 x2	 D04 x1		





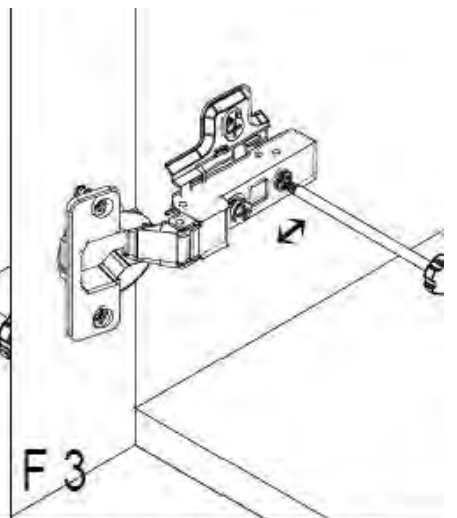
F 1

HEIGHT ADJUSTMENT



F 2

SIDE ADJUSTMENT



F 3

DEPTH ADJUSTMENT