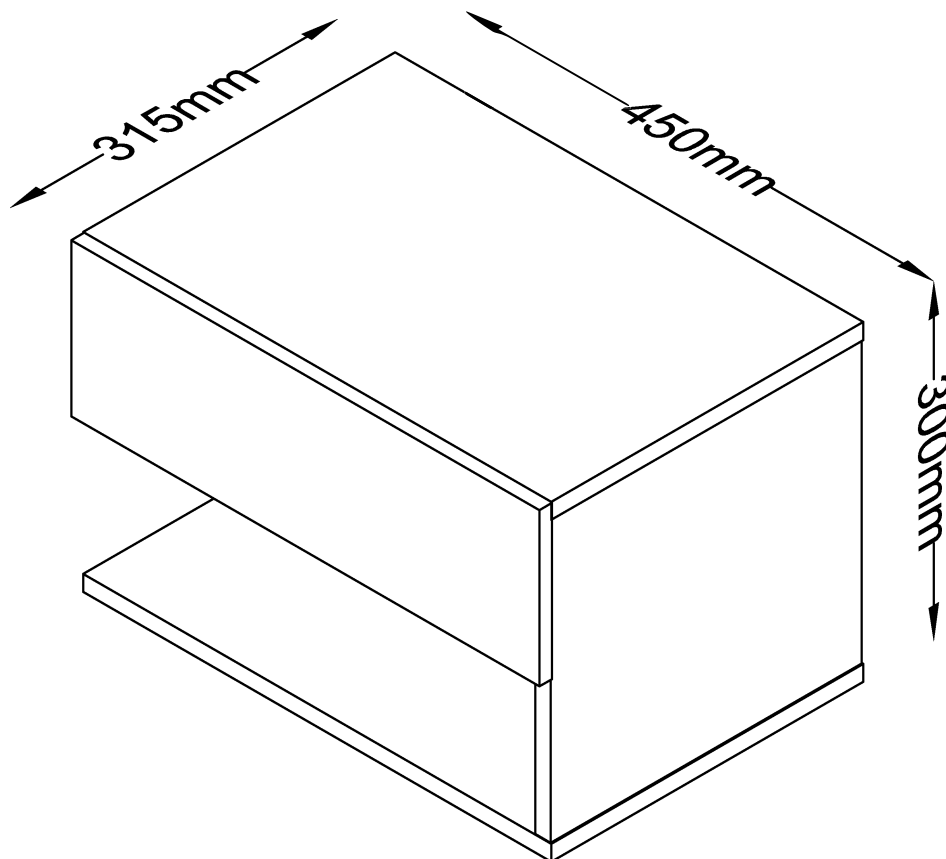


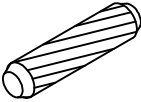

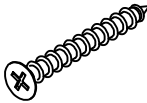
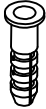

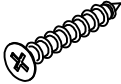


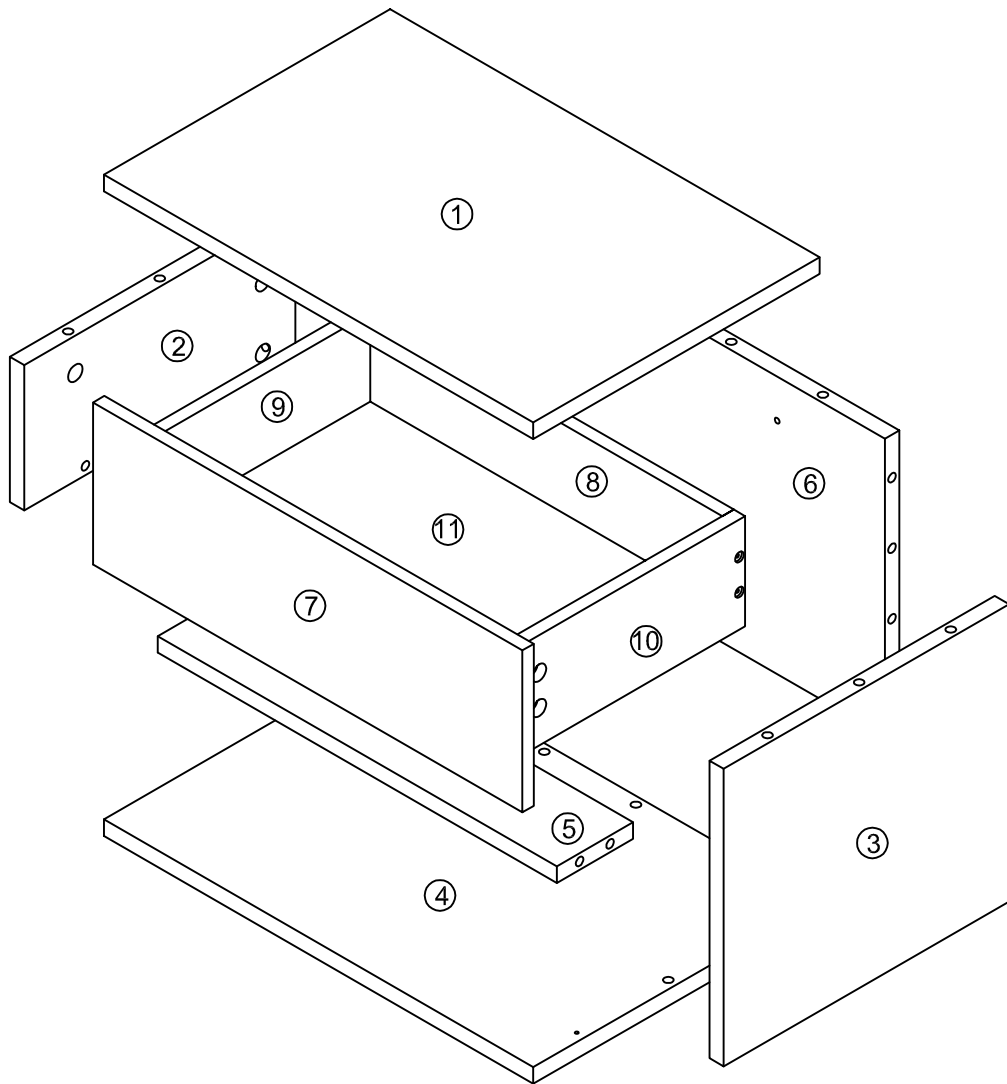


Wandschublade Usal XL 45
Montageanleitung
Instruction manual



VCM Morgenthaler GmbH
D-79346 Endingen am Kaiserstuhl
service@vcm-gruppe.de
www.vcm-gruppe.de

<p>A*18</p>  <p>40 mm</p>	<p>B*18</p>  <p>15*9 mm</p>	<p>C*10</p>  <p>8*40 mm</p>	<p>D*8</p>  <p>3.5*12mm</p>	<p>E*2</p>  <p>4*50mm</p>
<p>F*2</p>  <p>8*60mm</p>	<p>G*1</p>  <p>250 mm</p>	<p>H*8</p>  <p>3.5*30 mm</p>		



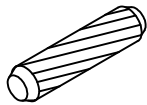
1

A*6

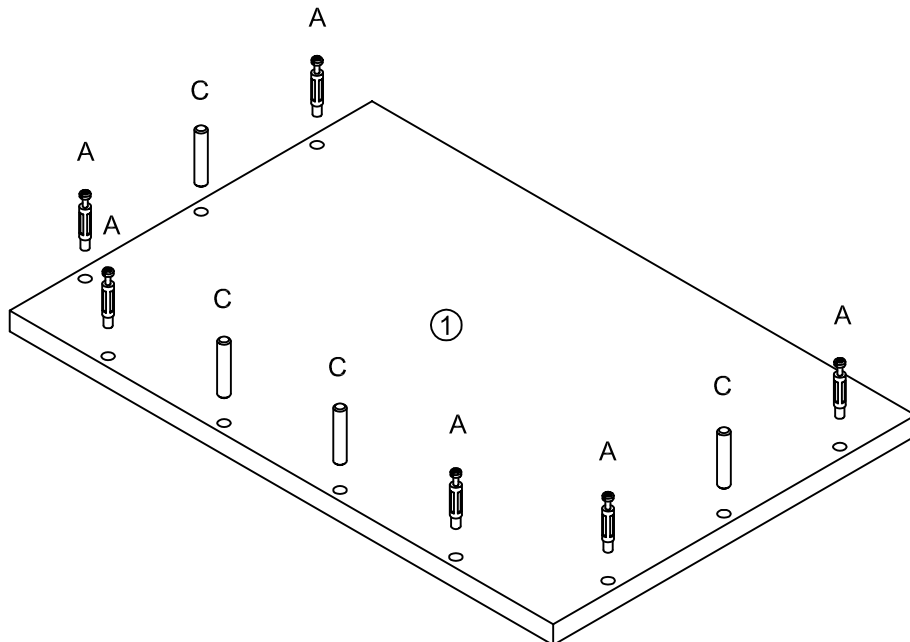


40 mm

C*4



8*40 mm



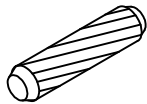
2

A*2

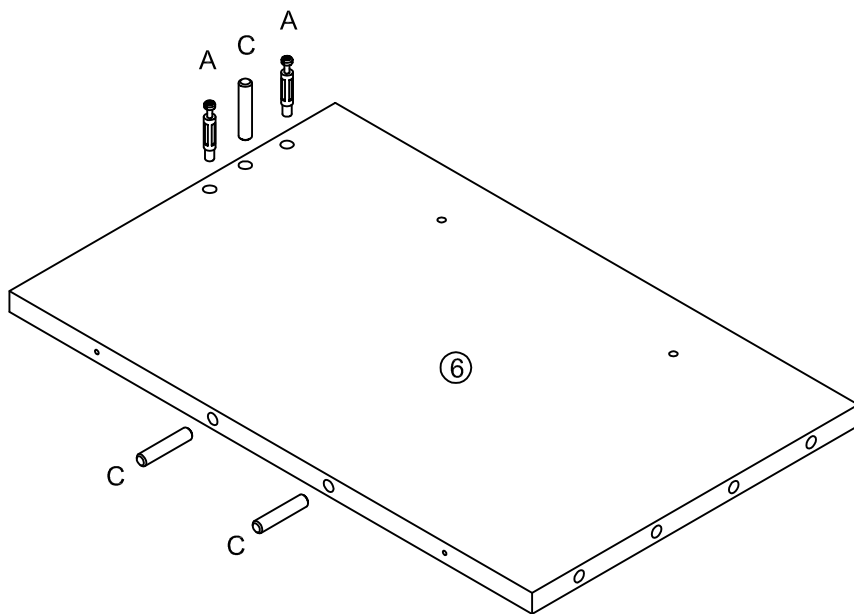


40 mm

C*3



8*40 mm



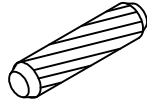
3

A*6



40 mm

C*3



8*40 mm

D*4

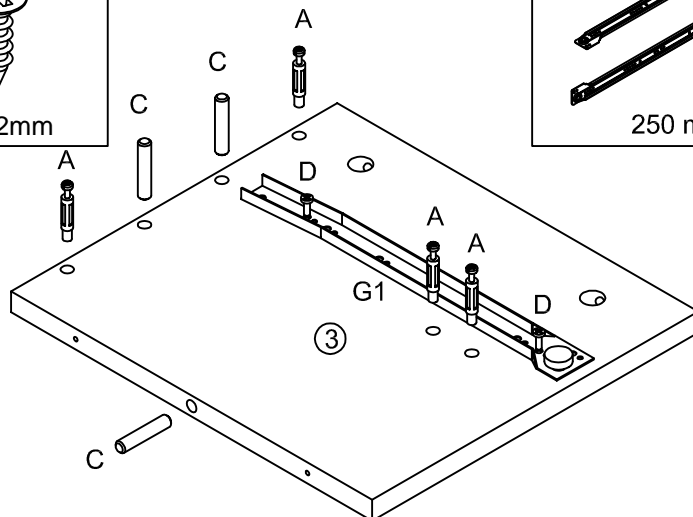
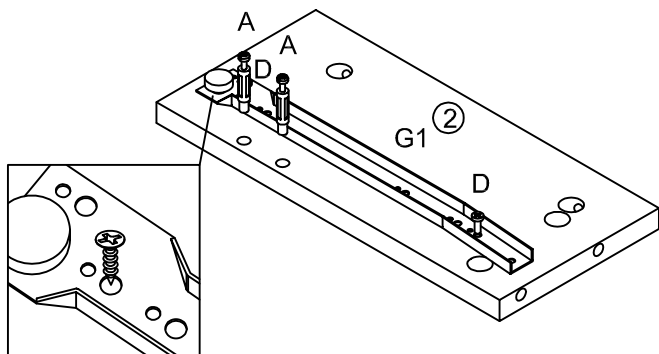


3.5*12mm

G*1



250 mm

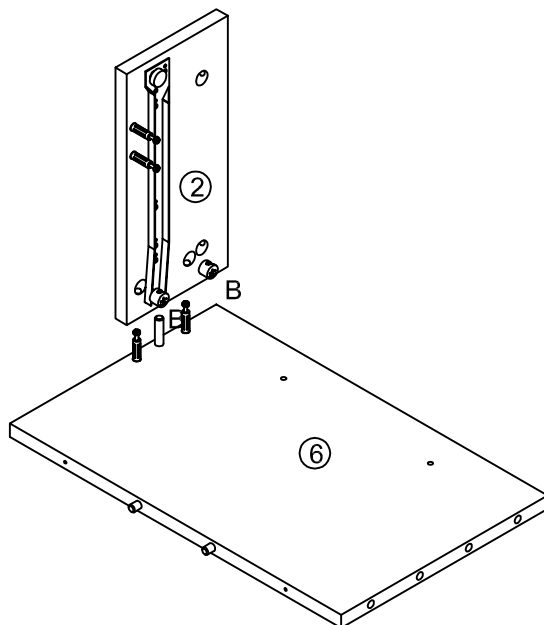


4

B*2



15*9 mm

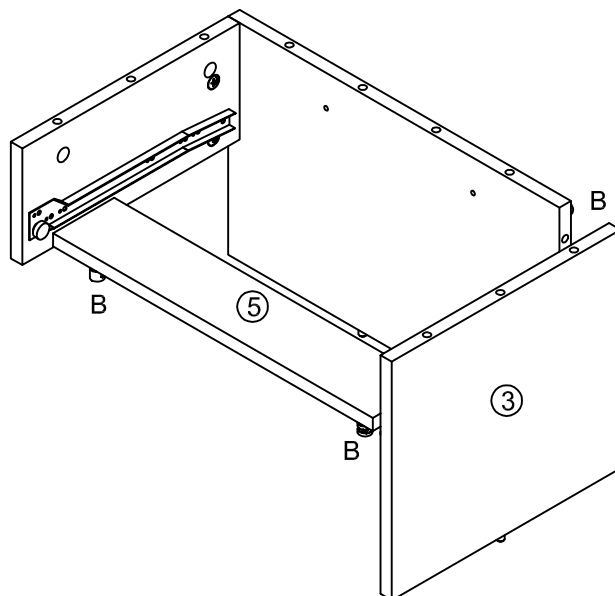


5

B*6



15*9 mm

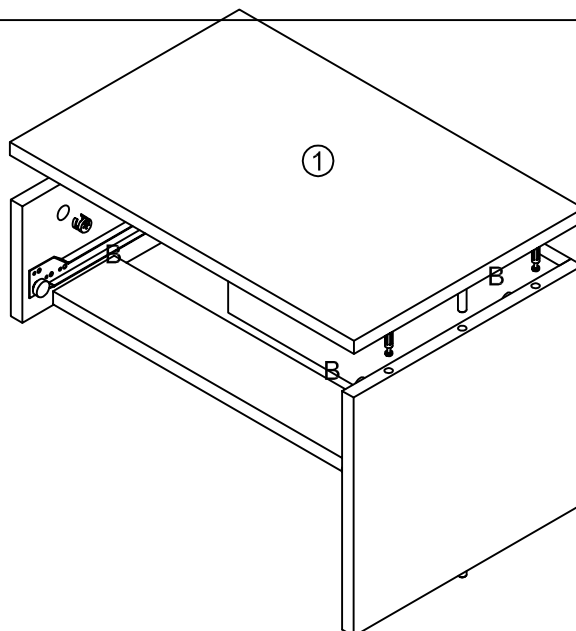


6

B*6

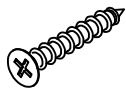


15*9 mm

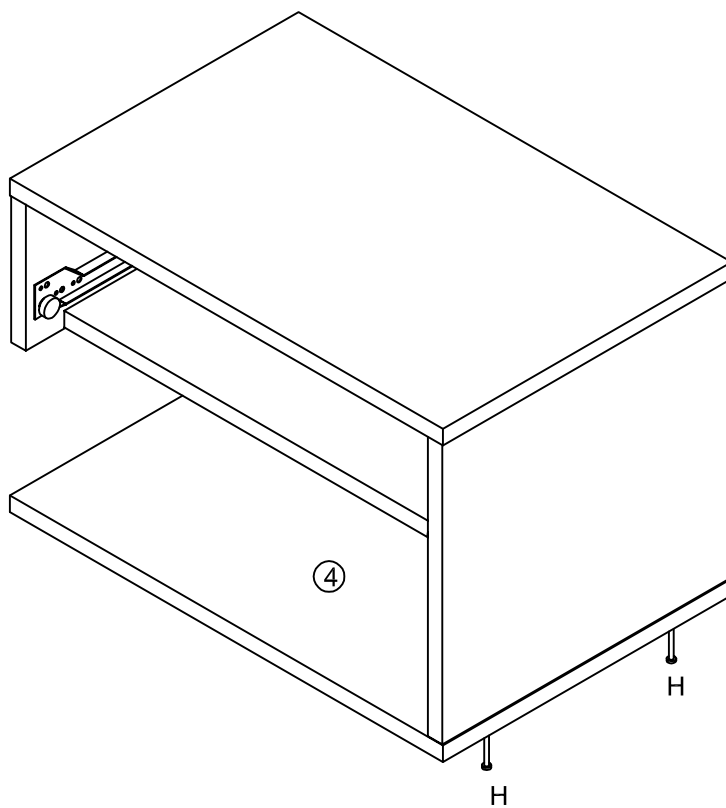


7

H*4

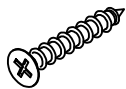


3.5*30 mm

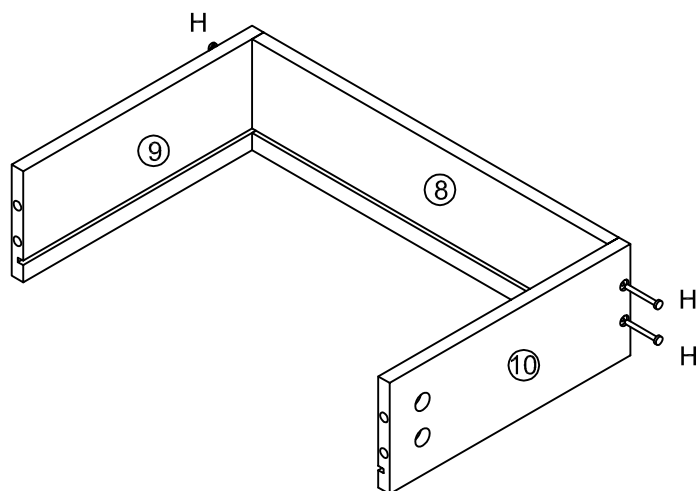


8

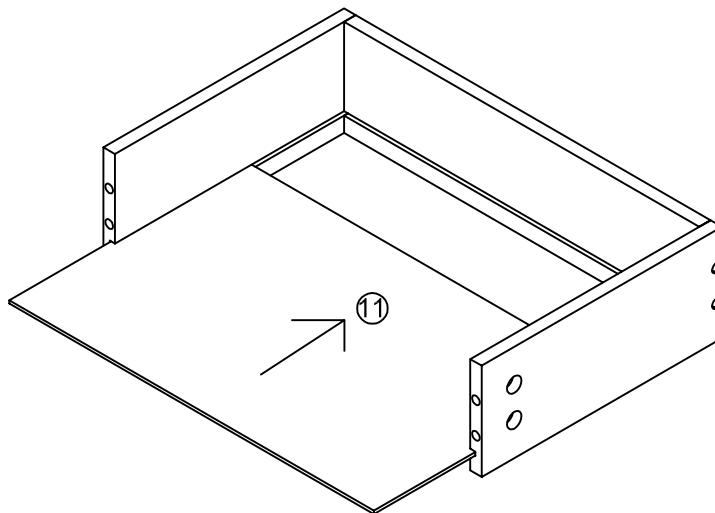
H*4



3.5*30 mm

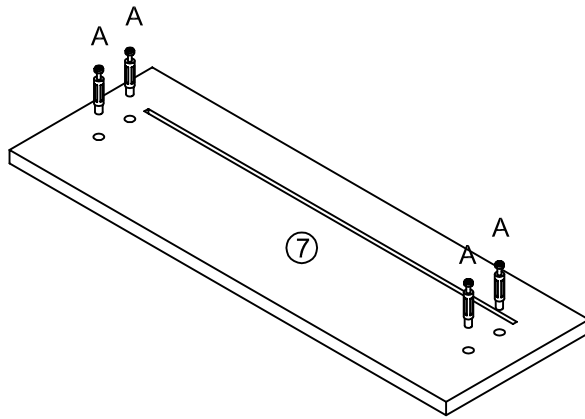


9



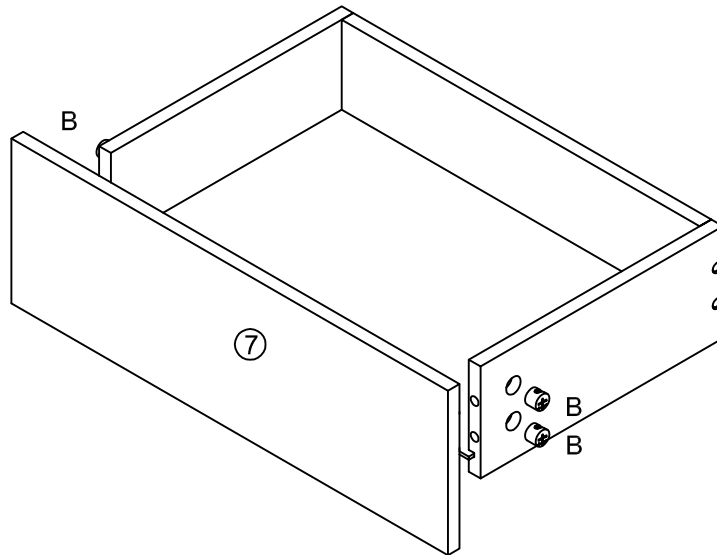
10

A*4



11

B*4

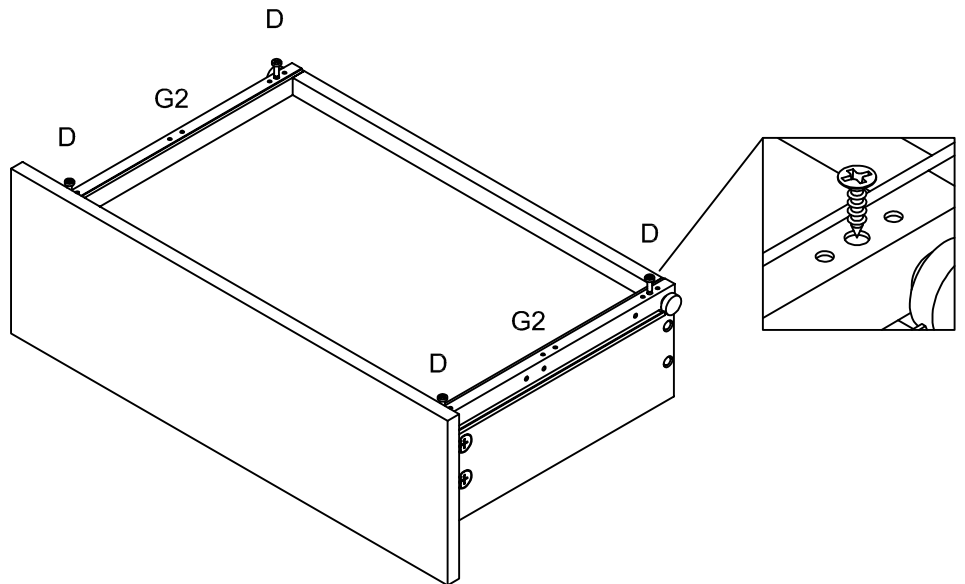
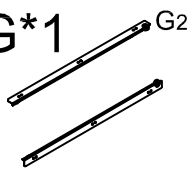


12

D*4

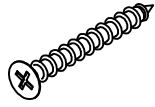


G*1



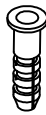
13

E*2

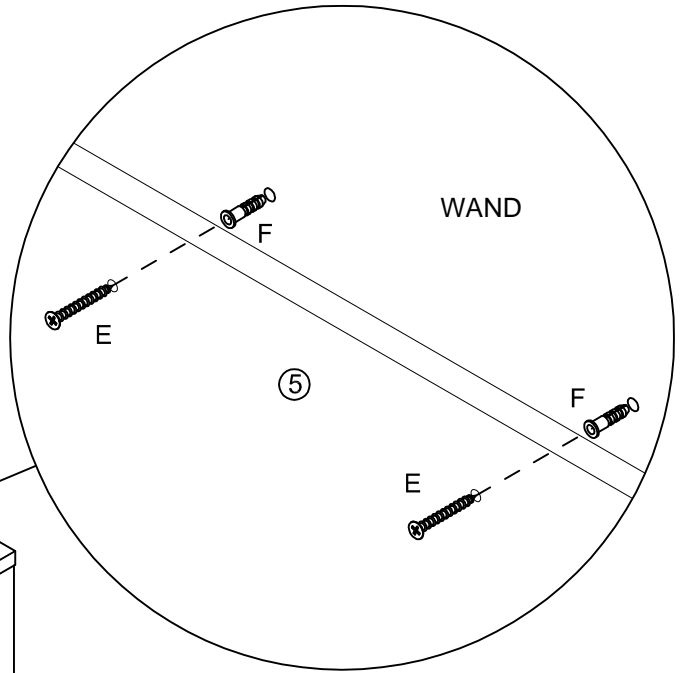
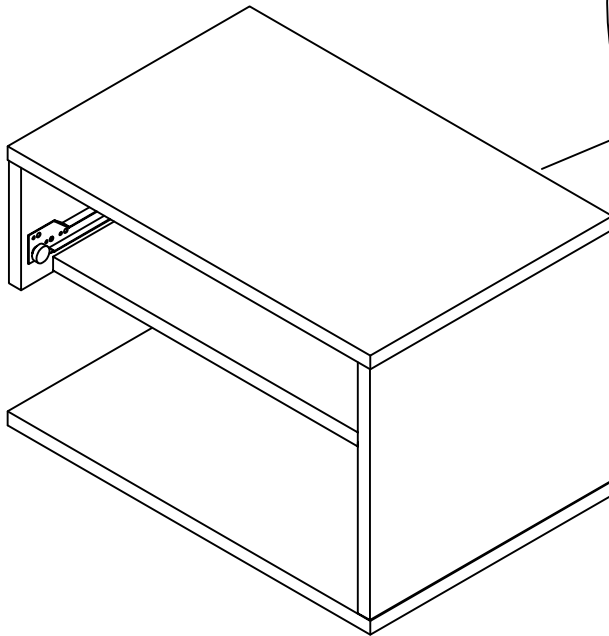


4*50mm

F*2



8*60mm



14

