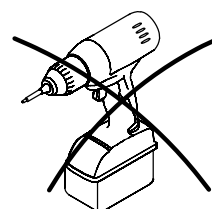
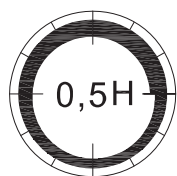
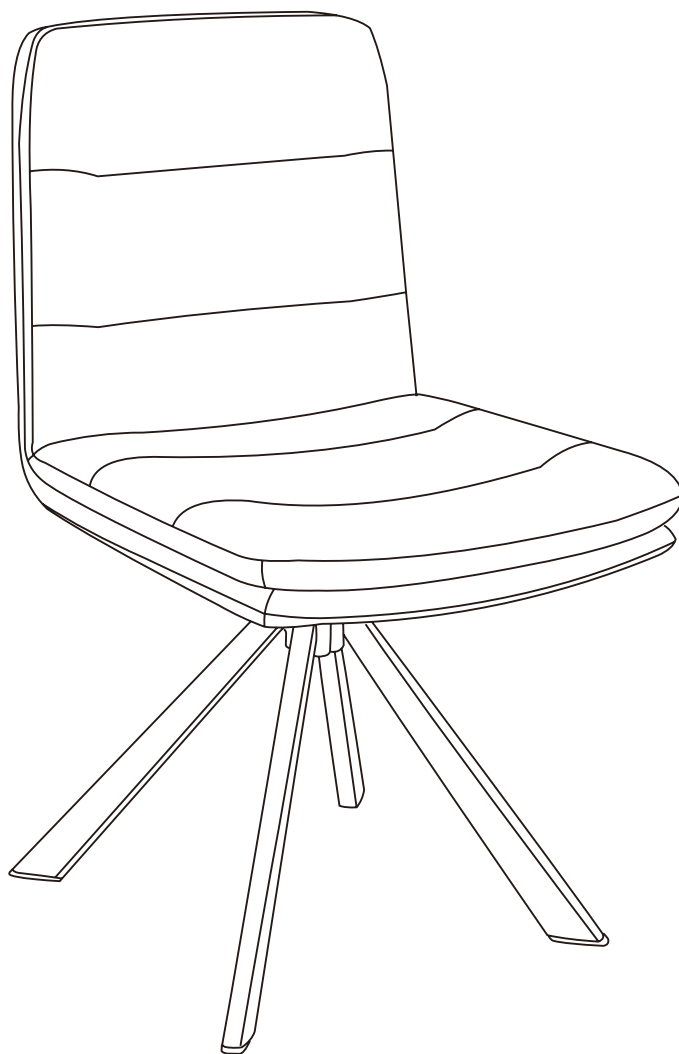
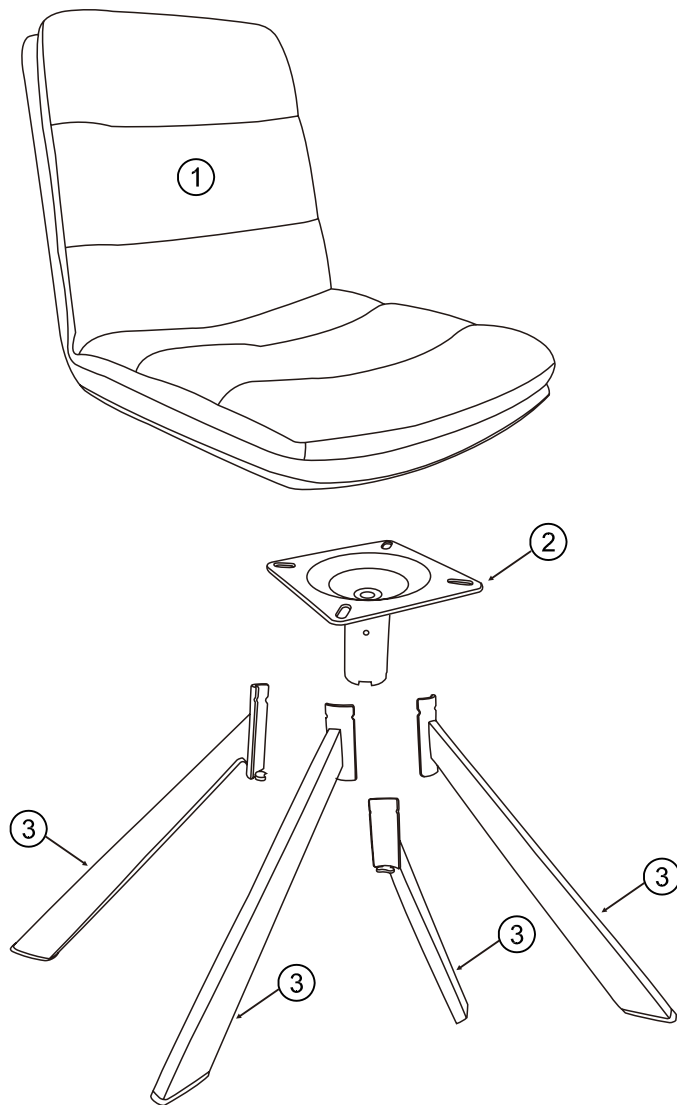
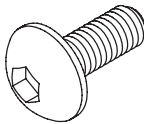
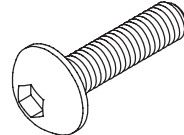


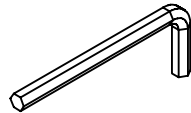


# DEAN

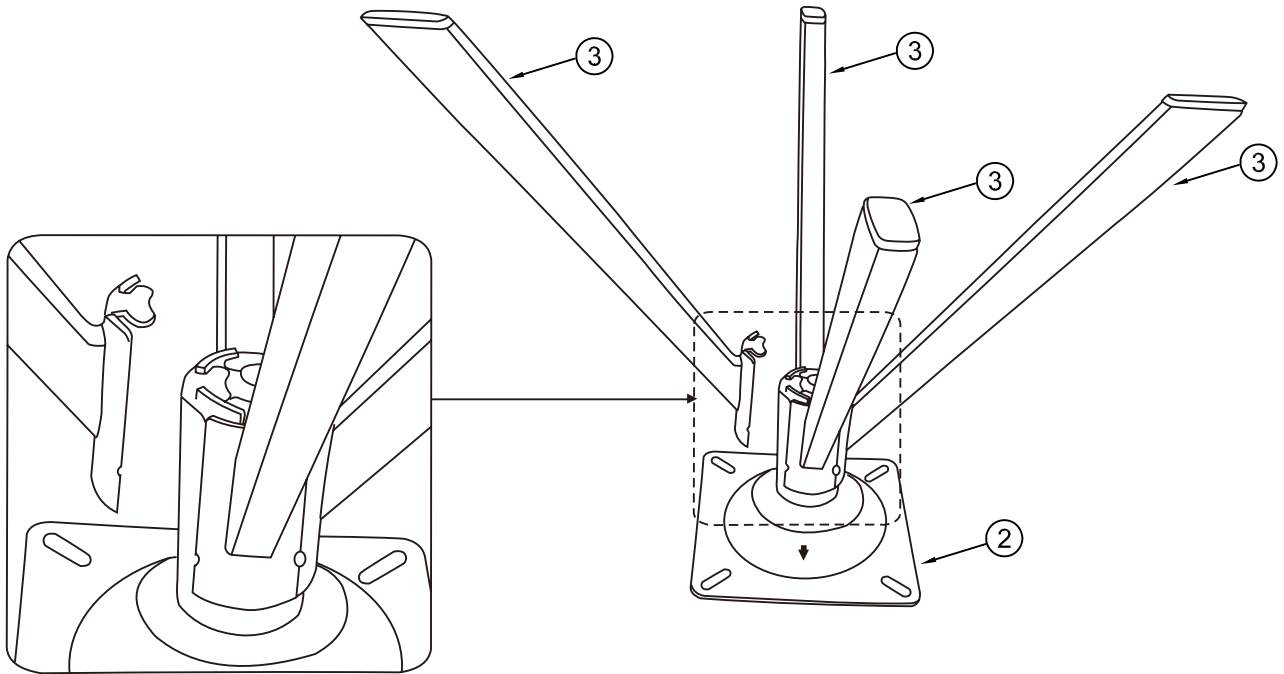


			✓
①	1	540x520x500	
②	1	165x165x125	
③	4	445x60x40	

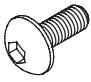





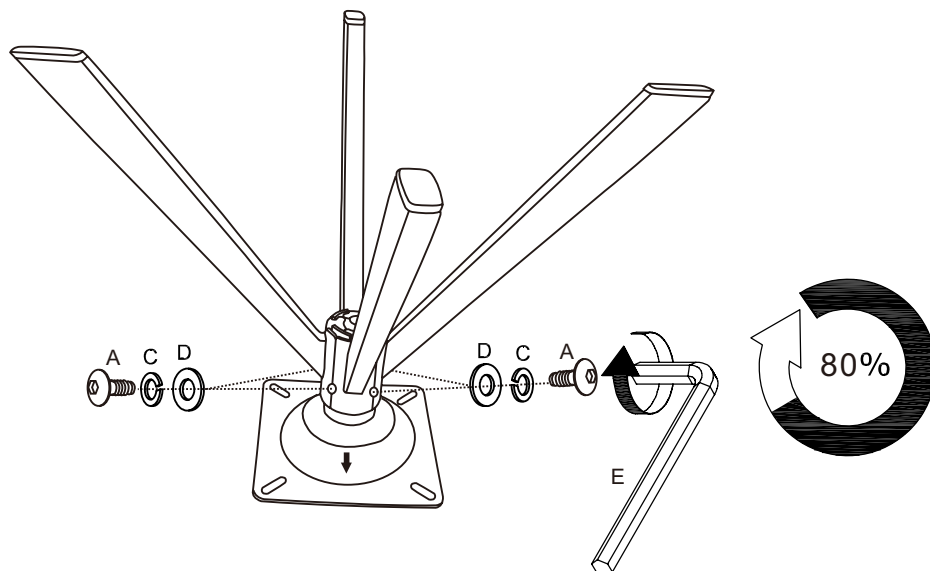
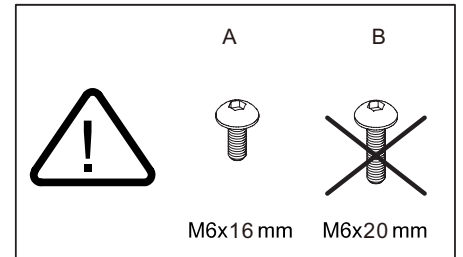
A x 4	B x 4	C x 8	D x 8	E x 1
				
M6x16 mm	M6x20 mm	Ø6/Ø10 mm	Ø6/Ø17 mm	5 mm

# 1

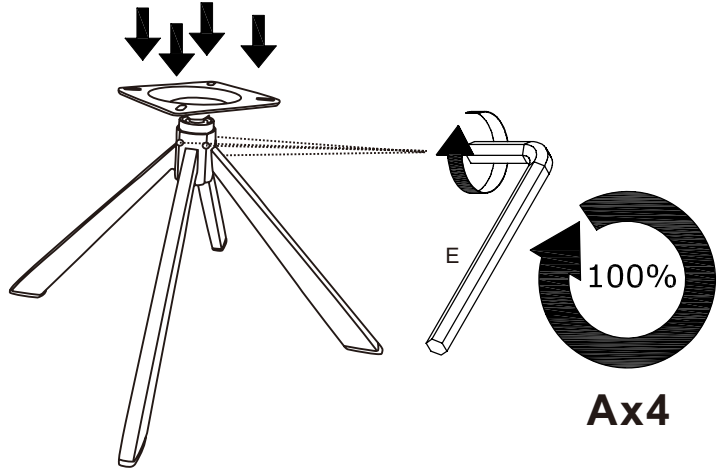
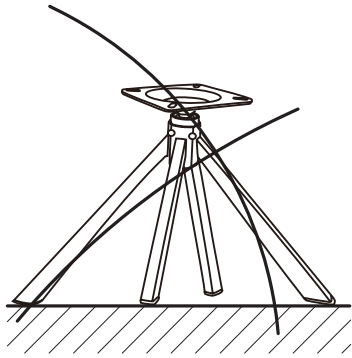
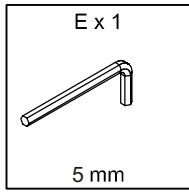


# 2

A x 4  M6x16 mm	C x 4  Ø6/Ø10 mm	D x 4  Ø6/Ø17 mm	E x 1  5 mm
--	---	---	--

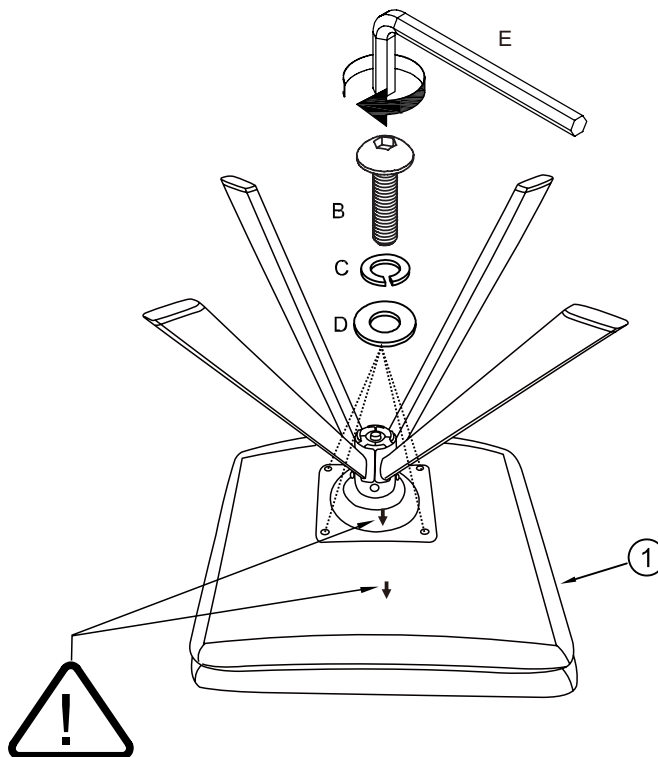


# 3



# 4

B x 4	C x 4	D x 4	E x 1
M6x20 mm	Ø6/Ø10 mm	Ø6/Ø17 mm	5 mm



5

